

All Novopro products are thoroughly QC checked prior to dispatch but should you have any queries or questions then please contact your place of purchase or contact us at: [info@novopro.co.uk](mailto:info@novopro.co.uk)



Novopro is a trade only supplier and only supply wholesale to trade resellers.

Novopro products are designed and engineered in the UK and manufactured in China.

Email: [info@novopro.co.uk](mailto:info@novopro.co.uk) Web: [www.novopro.co.uk](http://www.novopro.co.uk)

Due to continuous product developments & improvements, specifications and appearance are subject to change.

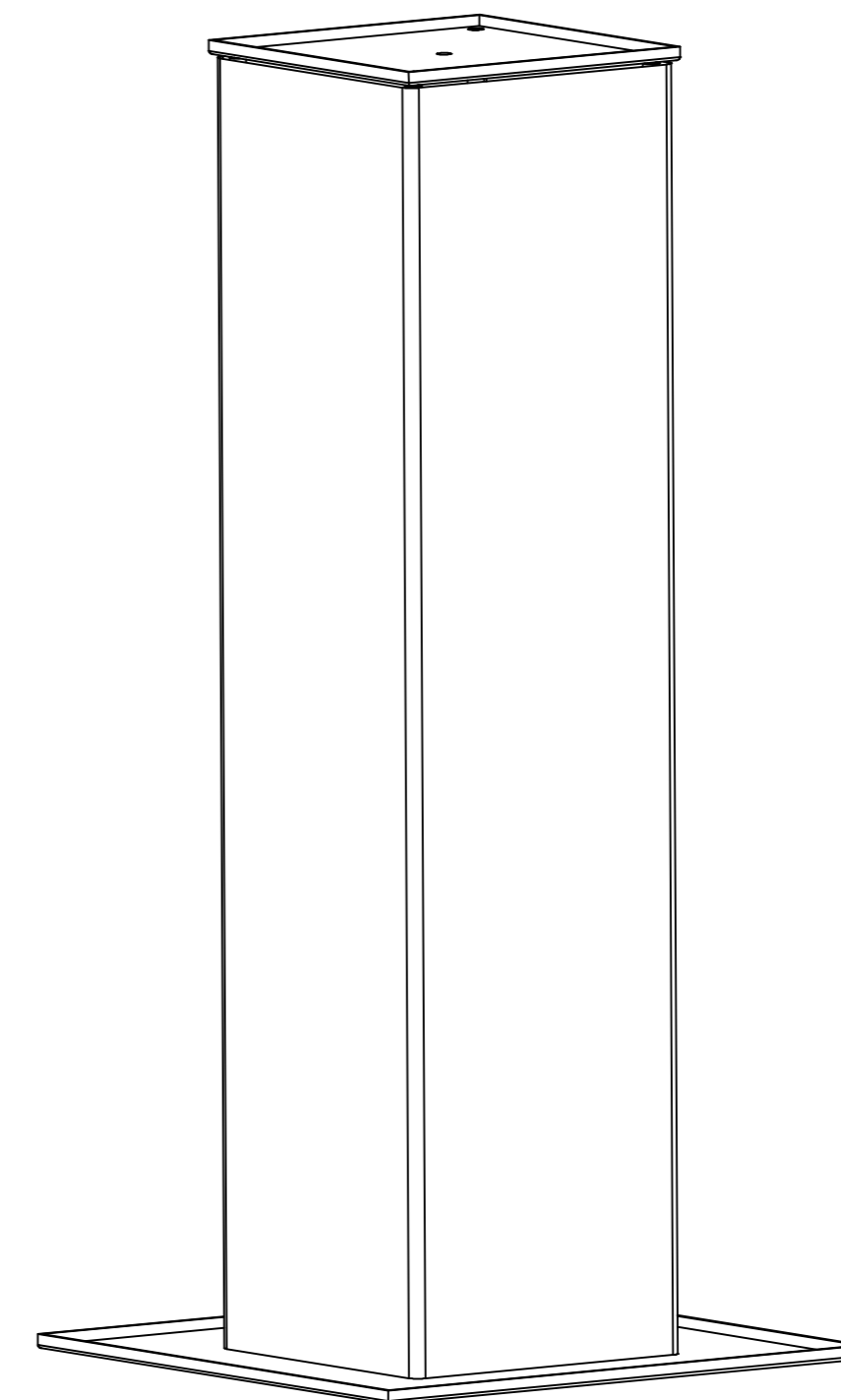
© Copyright Novopro Ltd 2013. E&OE.

Thank you for purchasing the Novopro PS1+ moving head/podium stand



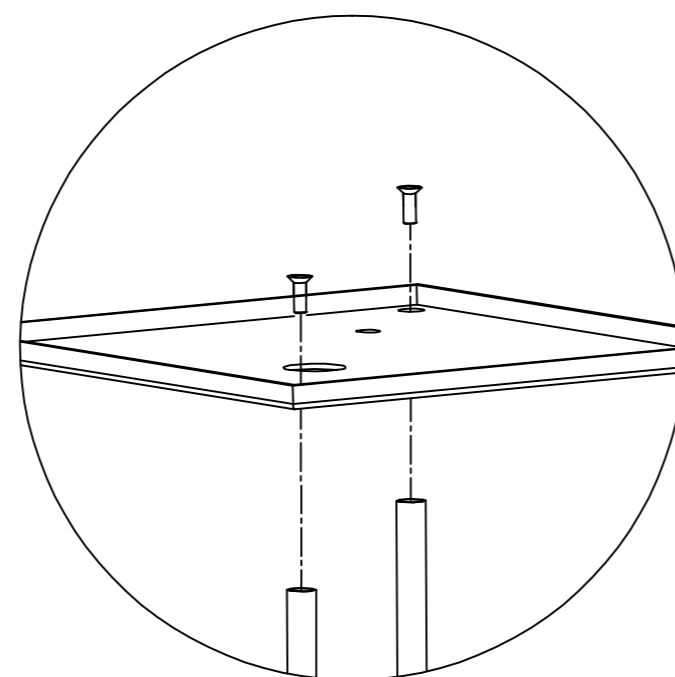
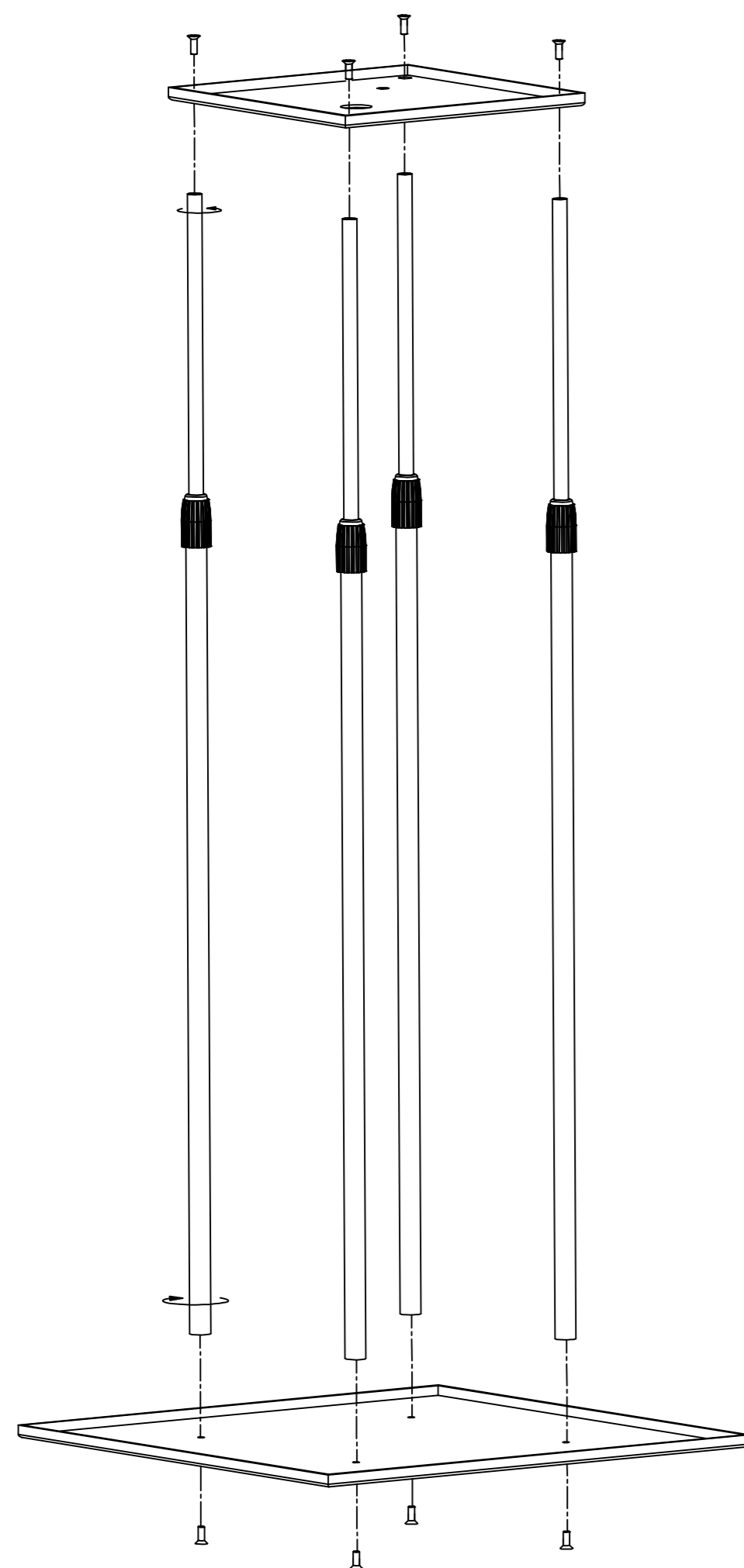
This user manual will help you to assemble this product safely & quickly, so please spend a few minutes to read through this assembly information.

Due to continuous product developments, please check for the latest updated version of this product manual at: [www.novopro.co.uk](http://www.novopro.co.uk)

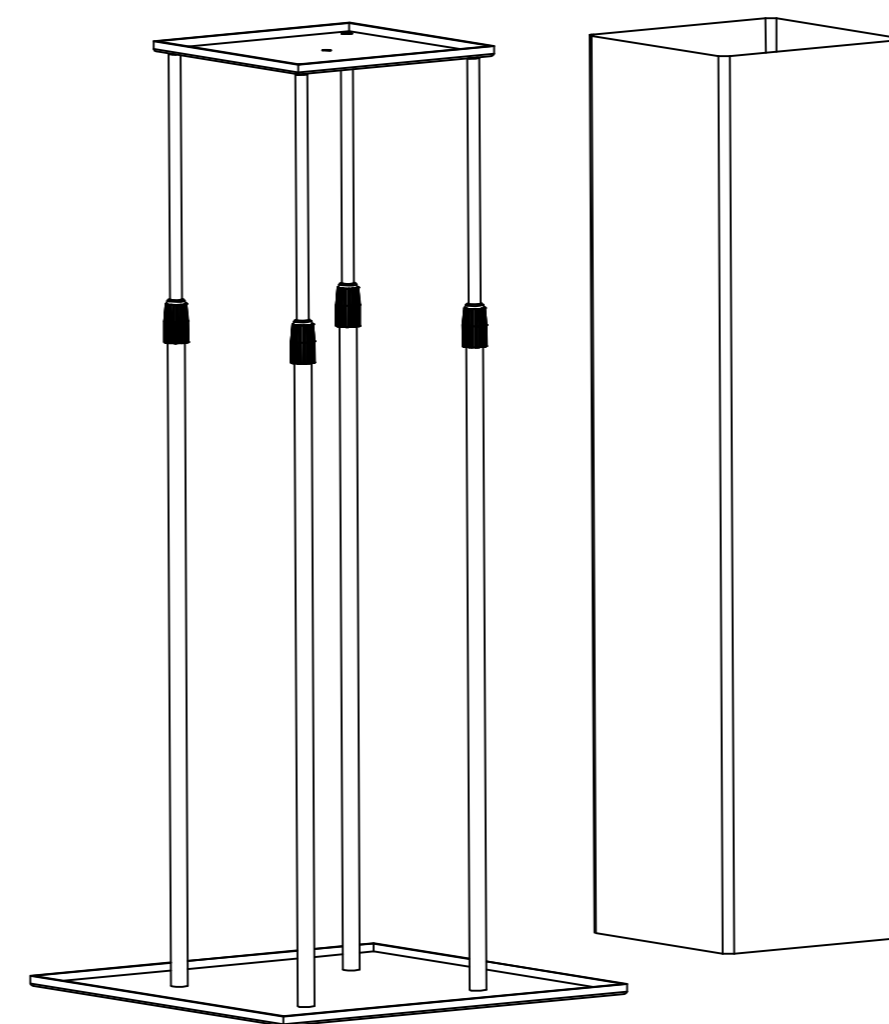
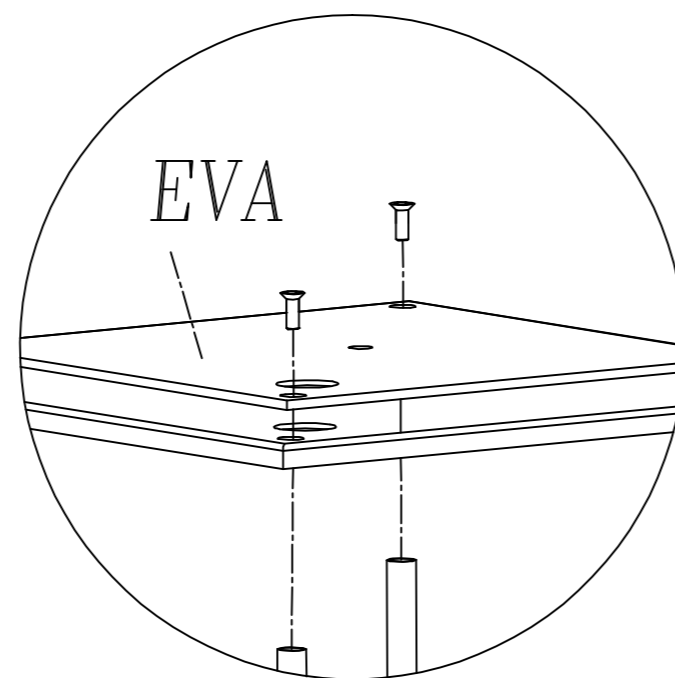


■ PS1+ moving head/podium stand

# Step 1



or



# Step 2

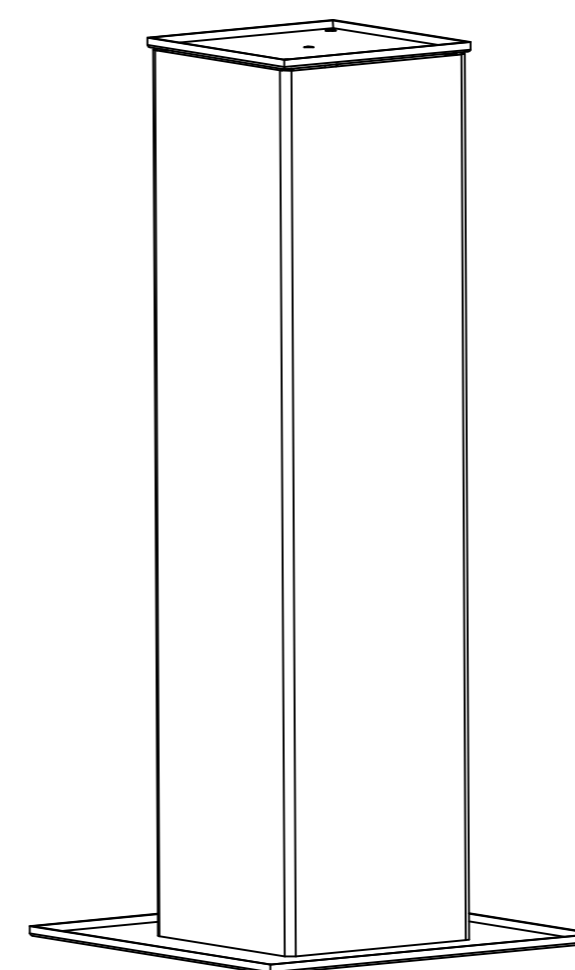
The height of each pole is adjusted by rotating the locking handle; anti-clockwise to loosen the clamp, clockwise to tighten.

**DO NOT OVERTIGHTEN** the rotating lock – as there are four tightening points, the stand will withstand a very heavy load without over tightening or damaging these clamps!

Attach the scrim cloth over the stand with the seam of the cloth on the inside and arrange the cloth to be as flat and wrinkle free as possible.

If you have the stand at a lower height setting, you can either gather or fold over the material at either the top or bottom of the stand.

# Step 3



If required, you can utilise the supplied foam EVA pad to add extra grip - or use the PS1+ as a studio monitor stand for example. **The foam EVA pad is designed to be stuck to the top plate when the rounded edges are FACING DOWNWARDS** but it can be fitted to the top plate, inside the rounded edges, after you have cut/trimmed the foam EVA pad to fit.

Using the supplied cable clamps, you can attach your mains or signal cables to the inside of the stand and feed the cable through the larger hole in the top plate as required.

There is a hole in the centre of the top plate, so you can fix or attach equipment or accessories as required.

You can use uplighters, parcans, LED tape or many different effects within the stand to be as creative as you wish!

There are many accessories available for the PS1+, please see [WWW.NOVOPRO.CO.UK](http://WWW.NOVOPRO.CO.UK)

**Please carefully unpack the PS1+ and lay out the contents in a suitable area. Unscrew the 8 x carriage bolts that are fitted into the ends of the poles (the poles that attach the plates as shown above).**

Push the carriage bolts through the holes then rotate the tubes to tighten the pole onto the bolts. This will secure the metal plates to the top and bottom of the stand.

To make fitting much easier, ensure that the plastic rotating clamp is loosened (turn the clamp anti-clockwise) so that the poles can rotate easily

The smaller diameter end of the poles is to be attached to the top plate as shown in the diagram.

The top plate can be reversed so it can be used with the rounded edges either facing upwards or downwards, depending upon the product to be used with the stand and whether you require a lip around the edge of the top plate to be used.